
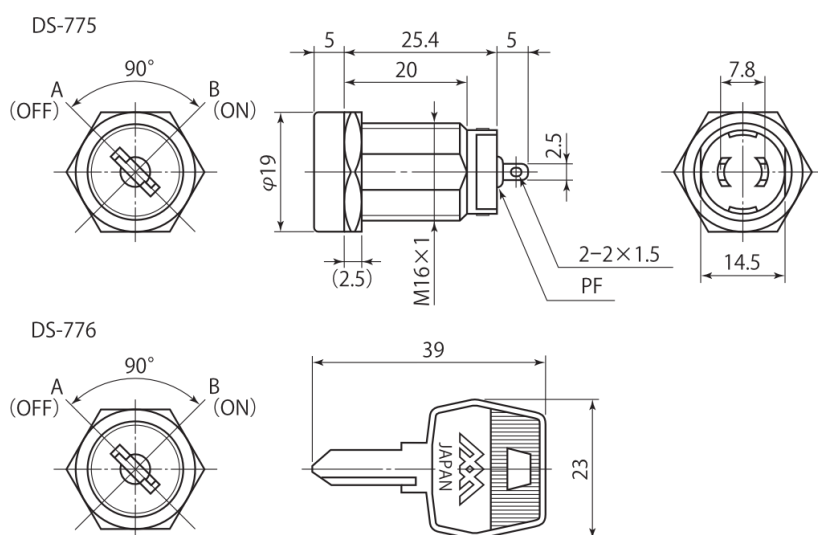


Product Description

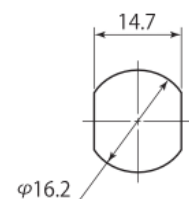
製品説明

Number 品番	DS-775 DS-776	Type 種類	Key switch 鍵スイッチ	Photo 写真
Circuit 回路	SPST (2P)	Operation 機能	OFF-ON	
Rating 定格	3A.125V.AC 1A.250V.AC	Terminal 端子	Solder terminal はんだ端子	
Insulation resistance 絶縁抵抗	DC.500V/100MΩ or more	Voltage breakdown 耐電圧	AC.1,500V/min	
Contact resistance 接触抵抗	20mΩ or less	Standard 規格		

Dimensions 寸法図



Mounting Hole 取付穴参考寸法



Details 詳細

DS-775 : Key can be inserted and removed only in position A (key lock type)

DS-775 : 鍵の抜き差しはA位置でのみ可能。(キーロック式)

DS-776 : Key can be inserted and removed in both A and B positions

DS-776 : 鍵の抜き差しはA・B両位置で可能。

There are two types of locks: "same-number" locks, which have the same key number, and "sequential-number" locks, which have different key numbers.

鍵には鍵番号が同じ「同番」タイプと、違う「連番」タイプがあります。