
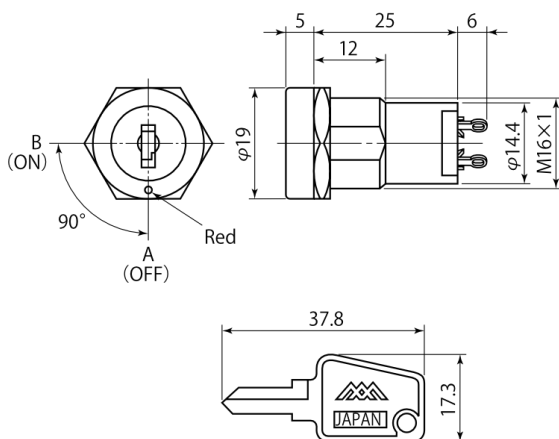


Product Description

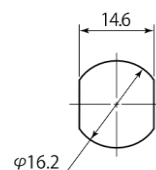
製品説明

Number 品番	DS-770	Type 種類	Key Switch 押釦スイッチ	Photo 写真 
Circuit 回路	SPST (2P)	Operation 機能	OFF-ON	
Rating 定格	3A.125V.AC 1A.250V.AC	Terminal 端子	Solder terminal はんだ端子	
Insulation resistance 絶縁抵抗	DC.500V/100MΩ or more	Voltage breakdown 耐電圧	AC.1,500V/min	
Contact resistance 接触抵抗	20mΩ or less	Standard 規格		

Dimensions 寸法図



Mounting Hole 取付穴参考寸法



Details 詳細

Key can be inserted and removed only in position A. (Key-locking type)
鍵は A位置でのみ抜き差し可能です。(キーロック式)

There are two types of key numbers: "same number," in which all key numbers are the same, and "sequential number," in which the keys are numbered separately.
鍵番号がすべて同じの「同番」と、バラの「連番」があります。